



Section 7

Stainless Steel 316 Threaded Fittings

Edition 3

Specifications

About Stainless Steel - Stainless steel can be defined as a steel alloy that has a minimum chromium level of 11% of its mass. Stainless steel fittings are used when the properties of steel and resistance to corrosion are required.

Applications - Stainless Steel Fittings are most suitable for marine, pumping, commercial, domestic chemical and irrigation applications.

AAP '150lb' stainless steel fittings are made from grade 316 stainless steel. 150lb refers to the maximum working pressure/temperature of 150psi saturated steam.

Applicable Standards

- AS 1722.2 - Pipe Threads of Whitworth Form (Fastening thread)
- ASTM A351 - Standard Specification of Castings, Austenitic for pressure-containing parts
- ASTM A182 - Standard Specification for forged or rolled alloy and stainless steel pipe flanges, forged fittings, valves and parts for high temperature parts
- ISO 4144 - Pipework - Stainless Steel fittings Threaded in Accordance with ISO7 - 1

| British Standard Threads | | | | | | | |
|--------------------------|--------|--------------------------|----------------------------|-------|------------------|-------------------------|-------------------------|
| All measurements in mm | | | | | | | |
| NOMINAL BORE OF PIPE | | APPROX. OUTSIDE DIAMETER | NUMBER OF THREADS PER INCH | PITCH | DEPTH OF THREADS | DIAMETER AT GAUGE PLANE | LENGTH OF USEFUL THREAD |
| IMPERIAL | METRIC | A | | P | h | B | E |
| 1/8 | 6 | 10.16 | 28 | 0.907 | 0.581 | 9.72 | 6.5 |
| 1/4 | 8 | 13.66 | 19 | 1.337 | 0.856 | 13.15 | 9.7 |
| 3/8 | 10 | 17.17 | 19 | 1.337 | 0.856 | 16.66 | 10.1 |
| 1/2 | 15 | 21.51 | 14 | 1.814 | 1.162 | 20.95 | 13.2 |
| 3/4 | 20 | 27.00 | 14 | 1.814 | 1.162 | 26.44 | 14.5 |
| 1 | 25 | 33.93 | 11 | 2.309 | 1.479 | 33.24 | 16.8 |
| 1 1/4 | 32 | 42.59 | 11 | 2.309 | 1.479 | 41.91 | 19.1 |
| 1 1/2 | 40 | 48.48 | 11 | 2.309 | 1.479 | 47.80 | 19.1 |
| 2 | 50 | 60.47 | 11 | 2.309 | 1.479 | 59.61 | 23.4 |
| 2 1/2 | 65 | 76.09 | 11 | 2.309 | 1.479 | 75.18 | 26.7 |
| 3 | 80 | 88.87 | 11 | 2.309 | 1.479 | 87.88 | 29.8 |
| 4 | 100 | 114.14 | 11 | 2.309 | 1.479 | 113.03 | 35.8 |
| 5 | 125 | 139.65 | 11 | 2.309 | 1.479 | 138.43 | 40.1 |
| 6 | 150 | 165.12 | 11 | 2.309 | 1.479 | 163.83 | 40.1 |

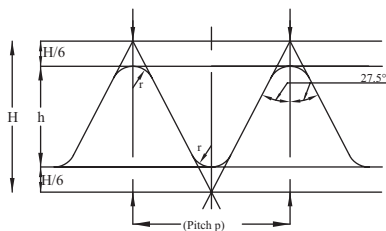


Fig. 1. (Parallel)
 $H = 0.960491 \times p$
 $h = 0.640327 \times p$
 $r = 0.137329 \times p$

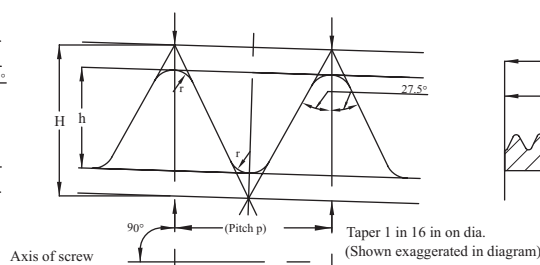


Fig. 2. (Taper)
 $H = 0.960237 \times p$
 $h = 0.640327 \times p$
 $r = 0.137278 \times p$

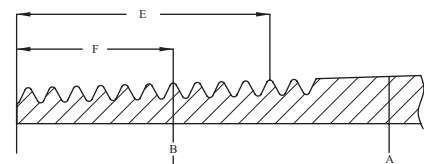


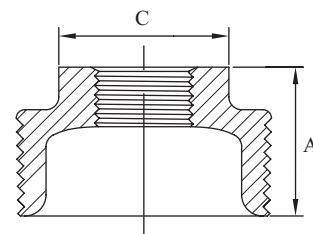
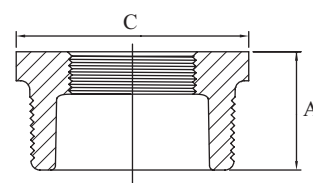
Fig. 3. (Taper)

| Mechanical Properties | | |
|-----------------------|---------------------|-----------------|
| TENSILE STRENGTH MIN. | YIELD STRENGTH MIN. | ELONGATION MIN. |
| 70000 psi | 25000 psi | 35% |

| 316/316L Chemical Composition % | | | | | | | |
|---------------------------------|-----------|--------|---------|---------|-------|-------|--------|
| C MAX | Cr | Mn MAX | Mo | Ni | P MAX | S MAX | Si MAX |
| 0.035 | 16.0-20.0 | 2 | 2.0-3.0 | 10-15.0 | 0.04 | 0.03 | 0.75 |

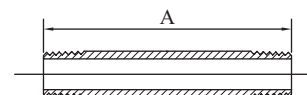
Stainless Steel Bushes

| 316 '150lb' Stainless Steel Bushes | | | | |
|------------------------------------|---------------|------|-----|--------------|
| AAP CODE | IMPERIAL SIZE | A | C | APPROX KG/PC |
| SSB0806 | 1/4 x 1/8 | 17 | 15 | 0.01 |
| SSB1008 | 3/8 x 1/4 | 20.5 | 22 | 0.03 |
| SSB1508 | 1/2 x 1/4 | 18 | 23 | 0.02 |
| SSB1510 | 1/2 x 3/8 | 21 | 23 | 0.03 |
| SSB2008 | 3/4 x 1/4 | 21 | 28 | 0.03 |
| SSB2010 | 3/4 x 3/8 | 21 | 28 | 0.03 |
| SSB2015 | 3/4 x 1/2 | 26 | 28 | 0.06 |
| SSB2510 | 1 x 3/8 | 26 | 35 | 0.09 |
| SSB2515 | 1 x 1/2 | 26 | 35 | 0.09 |
| SSB2520 | 1 x 3/4 | 26 | 35 | 0.07 |
| SSB3215 | 1 1/4 x 1/2 | 29 | 44 | 0.17 |
| SSB3220 | 1 1/4 x 3/4 | 29 | 44 | 0.14 |
| SSB3225 | 1 1/4 x 1 | 29 | 44 | 0.11 |
| SSB4020 | 1 1/2 x 3/4 | 31 | 50 | 0.20 |
| SSB4025 | 1 1/2 x 1 | 31 | 50 | 0.18 |
| SSB4032 | 1 1/2 x 1 1/4 | 31 | 50 | 0.12 |
| SSB5020 | 2 x 3/4 | 37 | 61 | 0.41 |
| SSB5025 | 2 x 1 | 37 | 61 | 0.35 |
| SSB5032 | 2 x 1 1/4 | 35 | 61 | 0.30 |
| SSB5040 | 2 x 1 1/2 | 35 | 61 | 0.24 |
| SSB6540 | 2 1/2 x 1 1/2 | 38 | 80 | 0.60 |
| SSB6550 | 2 1/2 x 2 | 39 | 80 | 0.49 |
| SSB8040 | 3 x 1 1/2 | 42 | 92 | 0.97 |
| SSB8050 | 3 x 2 | 42 | 92 | 0.85 |
| SSB8065 | 3 x 2 1/2 | 42 | 92 | 0.71 |
| SSB10050 | 4 x 2 | 49 | 116 | 1.62 |
| SSB10065 | 4 x 2 1/2 | 49 | 116 | 1.35 |
| SSB10080 | 4 x 3 | 49 | 116 | 1.28 |

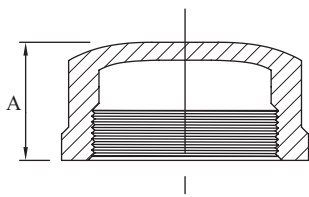


Stainless Steel Barrel Nipples

| 316 '150lb' Stainless Steel Barrel Nipples | | | |
|--|---------------|------|--------------|
| AAP CODE | SIZE IMPERIAL | A | APPROX KG/PC |
| SSBN08 | 1/4 | 39.5 | 0.02 |
| SSBN10 | 3/8 | 39.5 | 0.03 |
| SSBN15 | 1/2 | 60 | 0.06 |
| SSBN20 | 3/4 | 60 | 0.09 |
| SSBN25 | 1 | 60 | 0.12 |
| SSBN32 | 1 1/4 | 79.5 | 0.23 |
| SSBN40 | 1 1/2 | 79.5 | 0.26 |
| SSBN50 | 2 | 99 | 0.45 |
| SSBN65 | 2 1/2 | 100 | 0.70 |
| SSBN80 | 3 | 120 | 1.19 |
| SSBN100 | 4 | 151 | 1.85 |

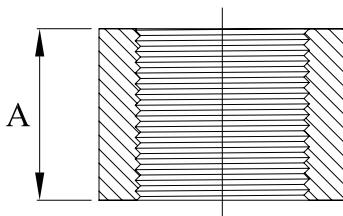


Stainless Steel Caps



| 316 '150lb' Stainless Steel Caps | | | |
|----------------------------------|---------------|------|--------------|
| AAP CODE | IMPERIAL SIZE | A | APPROX KG/PC |
| SSC06 | 1/8 | 14 | 0.01 |
| SSC08 | 1/4 | 15.6 | 0.01 |
| SSC10 | 3/8 | 17.5 | 0.03 |
| SSC15 | 1/2 | 20 | 0.05 |
| SSC20 | 3/4 | 21.7 | 0.06 |
| SSC25 | 1 | 26 | 0.09 |
| SSC32 | 1 1/4 | 28.5 | 0.13 |
| SSC40 | 1 1/2 | 32.6 | 0.19 |
| SSC50 | 2 | 34 | 0.28 |
| SSC65 | 2 1/2 | 38.7 | 0.47 |
| SSC80 | 3 | 42.5 | 0.69 |
| SSC100 | 4 | 48.4 | 1.30 |

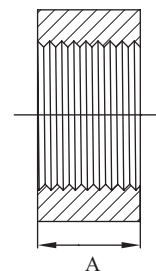
Stainless Steel Couplings



| 316 '150lb' Stainless Steel Couplings | | | |
|---------------------------------------|---------------|----|--------------|
| AAP CODE | IMPERIAL SIZE | A | APPROX KG/PC |
| SSCP06 | 1/8 | 16 | 0.01 |
| SSCP08 | 1/4 | 24 | 0.02 |
| SSCP10 | 3/8 | 25 | 0.02 |
| SSCP15 | 1/2 | 33 | 0.06 |
| SSCP20 | 3/4 | 36 | 0.07 |
| SSCP25 | 1 | 43 | 0.11 |
| SSCP32 | 1 1/4 | 47 | 0.17 |
| SSCP40 | 1 1/2 | 47 | 0.14 |
| SSCP50 | 2 | 52 | 0.29 |
| SSCP65 | 2 1/2 | 62 | 0.41 |
| SSCP80 | 3 | 68 | 0.65 |
| SSCP100 | 4 | 77 | 1.26 |

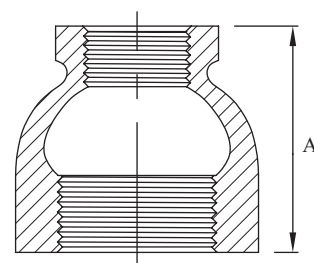
Stainless Steel Half Couplings

| 316 '150lb' Stainless Steel Half Couplings | | | |
|--|---------------|----|--------------|
| AAP CODE | IMPERIAL SIZE | A | APPROX KG/PC |
| SSCH15 | 1/2 | 15 | 0.03 |
| SSCH20 | 3/4 | 17 | 0.04 |
| SSCH25 | 1 | 20 | 0.05 |
| SSCH32 | 1 1/4 | 22 | 0.09 |
| SSCH40 | 1 1/2 | 22 | 0.09 |
| SSCH50 | 2 | 24 | 0.11 |

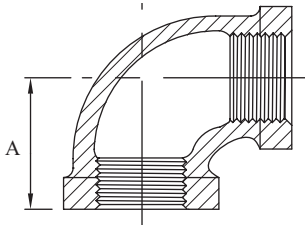


Stainless Steel Reducing Sockets

| 316 '150lb' Stainless Steel Reducing Sockets | | | |
|--|---------------|----|--------------|
| AAP CODE | IMPERIAL SIZE | A | APPROX KG/PC |
| SSS0806 | 1/4 x 1/8 | 26 | 0.01 |
| SSS1008 | 3/8 x 1/4 | 30 | 0.03 |
| SSS1508 | 1/2 x 1/4 | 33 | 0.06 |
| SSS1510 | 1/2 x 3/8 | 33 | 0.04 |
| SSS2010 | 3/4 x 3/8 | 36 | 0.07 |
| SSS2015 | 3/4 x 1/2 | 36 | 0.07 |
| SSS2510 | 1 x 3/8 | 42 | 0.12 |
| SSS2515 | 1 x 1/2 | 42 | 0.09 |
| SSS2520 | 1 x 3/4 | 43 | 0.11 |
| SSS3215 | 1 1/4 x 1/2 | 45 | 0.25 |
| SSS3220 | 1 1/4 x 3/4 | 45 | 0.16 |
| SSS3225 | 1 1/4 x 1 | 45 | 0.18 |
| SSS4020 | 1 1/2 x 3/4 | 49 | 0.22 |
| SSS4025 | 1 1/2 x 1 | 49 | 0.19 |
| SSS4032 | 1 1/2 x 1 1/4 | 49 | 0.24 |
| SSS5025 | 2 x 1 | 51 | 0.28 |
| SSS5032 | 2 x 1 1/4 | 51 | 0.28 |
| SSS5040 | 2 x 1 1/2 | 51 | 0.29 |
| SSS6540 | 2 1/2 x 1 1/2 | 65 | 0.46 |
| SSS6550 | 2 1/2 x 2 | 65 | 0.50 |
| SSS8040 | 3 x 1 1/2 | 72 | 0.73 |
| SSS8050 | 3 x 2 | 72 | 0.80 |
| SSS8065 | 3 x 2 1/2 | 72 | 0.73 |
| SSS10050 | 4 x 2 | 68 | 1.70 |
| SSS10065 | 4 x 2 1/2 | 68 | 1.50 |
| SSS10080 | 4 x 3 | 68 | 1.30 |

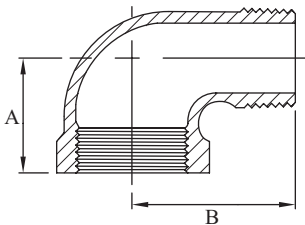


Stainless Steel 90 deg F/F Elbows



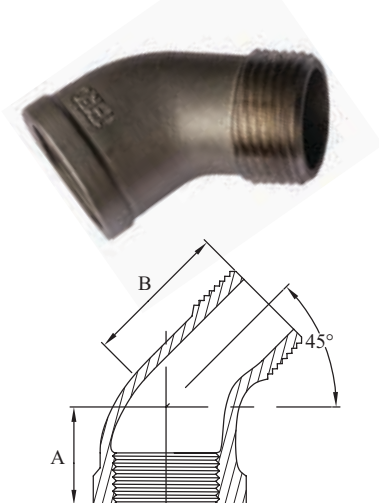
| 316 '150lb' Stainless Steel 90 Degree F/F Elbows | | | |
|--|---------------|----|--------------|
| AAP CODE | IMPERIAL SIZE | A | APPROX KG/PC |
| SSE06 | 1/8 | 17 | 0.02 |
| SSE08 | 1/4 | 19 | 0.02 |
| SSE10 | 3/8 | 23 | 0.04 |
| SSE15 | 1/2 | 27 | 0.09 |
| SSE20 | 3/4 | 32 | 0.11 |
| SSE25 | 1 | 38 | 0.15 |
| SSE32 | 1 1/4 | 45 | 0.24 |
| SSE40 | 1 1/2 | 48 | 0.33 |
| SSE50 | 2 | 57 | 0.61 |
| SSE65 | 2 1/2 | 69 | 0.83 |
| SSE80 | 3 | 78 | 1.38 |
| SSE100 | 4 | 96 | 3.40 |

Stainless Steel 90 Deg M/F Elbows



| 316 '150lb' Stainless Steel 90 Degree M/F Elbows | | | | |
|--|---------------|----|-----|--------------|
| AAP CODE | IMPERIAL SIZE | A | B | APPROX KG/PC |
| SSEMF06 | 1/8 | 17 | 26 | 0.02 |
| SSEMF08 | 1/4 | 19 | 31 | 0.03 |
| SSEMF10 | 3/8 | 23 | 39 | 0.04 |
| SSEMF15 | 1/2 | 27 | 41 | 0.07 |
| SSEMF20 | 3/4 | 32 | 47 | 0.11 |
| SSEMF25 | 1 | 38 | 53 | 0.18 |
| SSEMF32 | 1 1/4 | 45 | 63 | 0.30 |
| SSEMF40 | 1 1/2 | 48 | 69 | 0.34 |
| SSEMF50 | 2 | 57 | 80 | 0.57 |
| SSEMF65 | 2 1/2 | 69 | 83 | 0.85 |
| SSEMF80 | 3 | 78 | 94 | 1.32 |
| SSEMF100 | 4 | 96 | 115 | 2.65 |

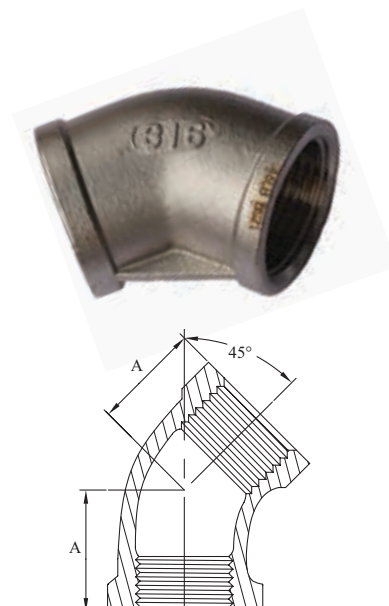
Stainless Steel 45 Deg M/F Elbows



| 316 '150lb' Stainless Steel 45 Degree M/F Elbows | | | | |
|--|---------------|----|----|--------------|
| AAP CODE | IMPERIAL SIZE | A | B | APPROX KG/PC |
| SSEMFF15 | 1/2 | 21 | 40 | 0.1 |
| SSEMFF20 | 3/4 | 25 | 45 | 0.1 |
| SSEMFF25 | 1 | 29 | 46 | 0.2 |
| SSEMFF32 | 1 1/4 | 33 | 51 | 0.3 |
| SSEMFF40 | 1 1/2 | 37 | 55 | 0.3 |
| SSEMFF50 | 2 | 42 | 60 | 0.5 |

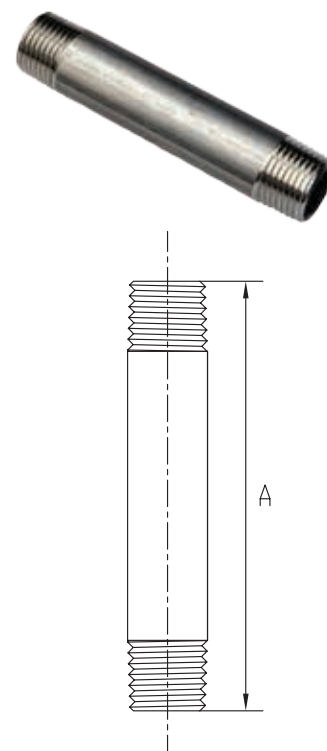
Stainless Steel 45 Deg F/F Elbows

| 316 '150lb' Stainless Steel 45 Degree F/F Elbows | | | |
|--|---------------|----|--------------|
| AAP CODE | IMPERIAL SIZE | A | APPROX KG/PC |
| SSEF08 | 1/4 | 17 | 0.03 |
| SSEF10 | 3/8 | 19 | 0.04 |
| SSEF15 | 1/2 | 21 | 0.07 |
| SSEF20 | 3/4 | 25 | 0.09 |
| SSEF25 | 1 | 29 | 0.16 |
| SSEF32 | 1 1/4 | 33 | 0.21 |
| SSEF40 | 1 1/2 | 37 | 0.30 |
| SSEF50 | 2 | 42 | 0.44 |
| SSEF65 | 2 1/2 | 49 | 0.94 |
| SSEF80 | 3 | 54 | 1.54 |
| SSEF100 | 4 | 64 | 1.92 |

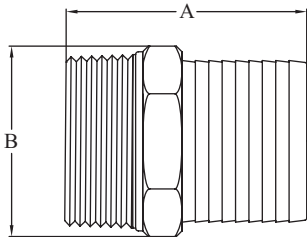


Stainless Steel 'Sched 40' Pipe Pieces (Welded)

| 316 'Sched 40' Stainless Steel Pipe Pieces (Welded) Both Ends BSP Taper | | | |
|---|---------------|-----|--------------|
| AAP CODE | IMPERIAL SIZE | A | APPROX KG/PC |
| SSPN1594 | 1/2 | 100 | 0.11 |
| SSPN1596 | 1/2 | 150 | 0.17 |
| SSPN1598 | 1/2 | 200 | 0.22 |
| SSPN15X30 | 1/2 | 300 | 0.33 |
| SSPN15X60 | 1/2 | 600 | 0.66 |
| SSPN2094 | 3/4 | 100 | 0.14 |
| SSPN2096 | 3/4 | 150 | 0.22 |
| SSPN2098 | 3/4 | 200 | 0.29 |
| SSPN20X30 | 3/4 | 300 | 0.43 |
| SSPN20X60 | 3/4 | 600 | 0.86 |
| SSPN2594 | 1 | 100 | 0.23 |
| SSPN2596 | 1 | 150 | 0.35 |
| SSPN2598 | 1 | 200 | 0.46 |
| SSPN25X30 | 1 | 300 | 0.69 |
| SSPN25X60 | 1 | 600 | 1.39 |
| SSPN3294 | 1 1/4 | 100 | 0.26 |
| SSPN3296 | 1 1/4 | 150 | 0.40 |
| SSPN3298 | 1 1/4 | 200 | 0.53 |
| SSPN32X30 | 1 1/4 | 300 | 0.79 |
| SSPN32X60 | 1 1/4 | 600 | 1.58 |
| SSPN4094 | 1 1/2 | 100 | 0.34 |
| SSPN4096 | 1 1/2 | 150 | 0.52 |
| SSPN4098 | 1 1/2 | 200 | 0.68 |
| SSPN40X30 | 1 1/2 | 300 | 1.02 |
| SSPN40X60 | 1 1/2 | 600 | 2.05 |
| SSPN5094 | 2 | 100 | 0.45 |
| SSPN5096 | 2 | 150 | 0.68 |
| SSPN5098 | 2 | 200 | 0.90 |
| SSPN50X30 | 2 | 300 | 1.35 |
| SSPN50X60 | 2 | 600 | 2.71 |

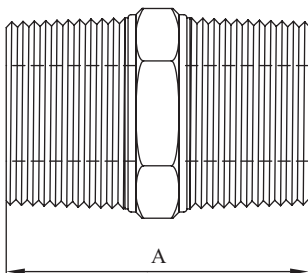


Stainless Steel Hose Nipple



| 316 '150lb' Stainless Steel Hose Nipple | | | | |
|---|---------------|------|-----|--------------|
| AAP CODE | IMPERIAL SIZE | A | B | APPROX KG/PC |
| SSHN08 | 1/4 | 43 | 16 | 0.02 |
| SSHN10 | 3/8 | 48 | 19 | 0.04 |
| SSHN1015 | 3/8 x 1/2 | 60 | 19 | 0.04 |
| SSHN15 | 1/2 | 58 | 22 | 0.05 |
| SSHN1510 | 1/2 x 3/8 | 60 | 24 | 0.05 |
| SSHN1520 | 1/2 x 3/4 | 60 | 25 | 0.07 |
| SSHN20 | 3/4 | 64.6 | 27 | 0.09 |
| SSHN2015 | 3/4 x 1/2 | 64 | 28 | 0.09 |
| SSHN2025 | 3/4 x 1 | 79 | 30 | 0.14 |
| SSHN25 | 1 | 72.5 | 35 | 0.14 |
| SSHN2520 | 1 x 3/4 | 67 | 36 | 0.14 |
| SSHN32 | 1 1/4 | 82 | 47 | 0.21 |
| SSHN40 | 1 1/2 | 88 | 52 | 0.27 |
| SSHN50 | 2 | 97.5 | 61 | 0.42 |
| SSHN65 | 2 1/2 | 106 | 79 | 0.83 |
| SSHN80 | 3 | 111 | 92 | 0.87 |
| SSHN100 | 4 | 151 | 117 | 2.32 |

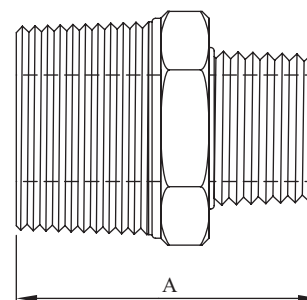
Stainless Steel Hexagon Nipple



| 316 '150lb' Stainless Steel Hexagon Nipple | | | |
|--|---------------|----|--------------|
| AAP CODE | IMPERIAL SIZE | A | APPROX KG/PC |
| SSN06 | 1/8 | 28 | 0.01 |
| SSN08 | 1/4 | 32 | 0.02 |
| SSN10 | 3/8 | 37 | 0.03 |
| SSN15 | 1/2 | 40 | 0.05 |
| SSN20 | 3/4 | 44 | 0.08 |
| SSN25 | 1 | 46 | 0.14 |
| SSN32 | 1 1/4 | 53 | 0.16 |
| SSN40 | 1 1/2 | 54 | 0.20 |
| SSN50 | 2 | 63 | 0.30 |
| SSN65 | 2 1/2 | 72 | 0.54 |
| SSN80 | 3 | 80 | 0.74 |
| SSN100 | 4 | 85 | 1.01 |

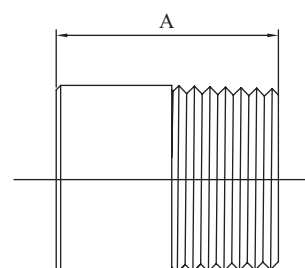
Stainless Steel Reducing Hexagon Nipple

| 316 '150lb' Stainless Steel Reducing Hex Nipple | | | |
|---|---------------|------|--------------|
| AAP CODE | IMPERIAL SIZE | A | APPROX KG/PC |
| SSN0806 | 1/4 x 1/8 | 30 | 0.02 |
| SSN1008 | 3/8 x 1/4 | 35 | 0.02 |
| SSN1508 | 1/2 x 1/4 | 40 | 0.03 |
| SSN1510 | 1/2 x 3/8 | 36 | 0.03 |
| SSN2010 | 3/4 x 3/8 | 41 | 0.1 |
| SSN2015 | 3/4 x 1/2 | 42 | 0.1 |
| SSN2510 | 1 x 3/8 | 45 | 0.1 |
| SSN2515 | 1 x 1/2 | 48 | 0.1 |
| SSN2520 | 1 x 3/4 | 49 | 0.1 |
| SSN3215 | 1 1/4 x 1/2 | 50 | 0.2 |
| SSN3220 | 1 1/4 x 3/4 | 51 | 0.2 |
| SSN3225 | 1 1/4 x 1 | 51 | 0.2 |
| SSN4020 | 1 1/2 x 3/4 | 50 | 0.2 |
| SSN4025 | 1 1/2 x 1 | 50 | 0.2 |
| SSN4032 | 1 1/2 x 1 1/4 | 53.8 | 0.2 |
| SSN5020 | 2 x 3/4 | 57 | 0.4 |
| SSN5025 | 2 x 1 | 57.5 | 0.3 |
| SSN5032 | 2 x 1 1/4 | 60 | 0.3 |
| SSN5040 | 2 x 1 1/2 | 62 | 0.3 |
| SSN6540 | 2 1/2 x 1 1/2 | 65.5 | 0.5 |
| SSN6550 | 2 1/2 x 2 | 71 | 0.6 |
| SSN8040 | 3 x 1 1/2 | 62.5 | 1.0 |
| SSN8050 | 3 x 2 | 75 | 0.9 |
| SSN8065 | 3 x 2 1/2 | 77 | 1.1 |
| SSN10050 | 4 x 2 | 80 | 2.0 |
| SSN10065 | 4 x 2 1/2 | 83 | 1.8 |
| SSN10080 | 4 x 3 | 87 | 1.6 |

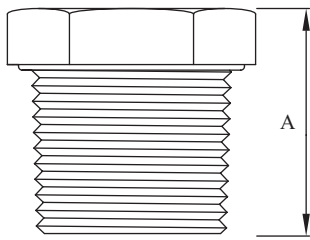


Stainless Steel Weld Nipples

| 316 '150lb' Stainless Steel Weld Nipples | | | |
|--|---------------|----|--------------|
| AAP CODE | IMPERIAL SIZE | A | APPROX KG/PC |
| SSWN08 | 1/4 | 30 | 0.02 |
| SSWN10 | 3/8 | 30 | 0.02 |
| SSWN15 | 1/2 | 33 | 0.03 |
| SSWN20 | 3/4 | 39 | 0.06 |
| SSWN25 | 1 | 40 | 0.08 |
| SSWN32 | 1 1/4 | 50 | 0.15 |
| SSWN40 | 1 1/2 | 50 | 0.19 |
| SSWN50 | 2 | 50 | 0.21 |
| SSWN65 | 2 1/2 | 60 | 0.41 |
| SSWN80 | 3 | 70 | 0.59 |
| SSWN100 | 4 | 80 | 0.95 |

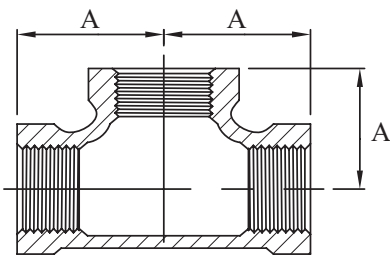


Stainless Steel Plug



| 316 '150lb' Stainless Steel Plug | | | |
|----------------------------------|---------------|------|--------------|
| AAP CODE | IMPERIAL SIZE | A | APPROX KG/PC |
| SSP06 | 1/8 | 17 | 0.01 |
| SSP08 | 1/4 | 18 | 0.01 |
| SSP10 | 3/8 | 20 | 0.02 |
| SSP15 | 1/2 | 21.5 | 0.03 |
| SSP20 | 3/4 | 24.5 | 0.07 |
| SSP25 | 1 | 27 | 0.09 |
| SSP32 | 1 1/4 | 29 | 0.13 |
| SSP40 | 1 1/2 | 31 | 0.16 |
| SSP50 | 2 | 35 | 0.25 |
| SSP65 | 2 1/2 | 40 | 0.53 |
| SSP80 | 3 | 44 | 0.73 |
| SSP100 | 4 | 45 | 1.2 |

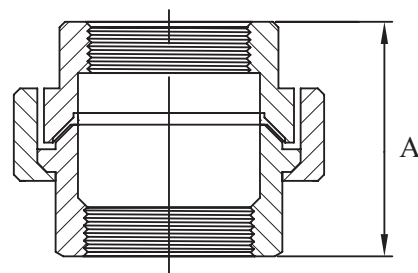
Stainless Steel Equal Tees



| 316 '150lb' Stainless Steel Equal Tees | | | |
|--|---------------|----|--------------|
| AAP CODE | IMPERIAL SIZE | A | APPROX KG/PC |
| SST06 | 1/8 | 17 | 0.03 |
| SST08 | 1/4 | 19 | 0.04 |
| SST10 | 3/8 | 23 | 0.06 |
| SST15 | 1/2 | 27 | 0.09 |
| SST20 | 3/4 | 32 | 0.13 |
| SST25 | 1 | 38 | 0.24 |
| SST32 | 1 1/4 | 45 | 0.36 |
| SST40 | 1 1/2 | 48 | 0.44 |
| SST50 | 2 | 57 | 0.64 |
| SST65 | 2 1/2 | 69 | 1.25 |
| SST80 | 3 | 78 | 1.59 |
| SST100 | 4 | 96 | 3.98 |

Stainless Steel F/F Unions

| 316 '150lb' Stainless Steel F/F Unions | | | |
|--|---------------|------|--------------|
| AAP CODE | IMPERIAL SIZE | A | APPROX KG/PC |
| SSU06 | 1/8 | 28.3 | 0.05 |
| SSU08 | 1/4 | 29.6 | 0.08 |
| SSU10 | 3/8 | 35 | 0.1 |
| SSU15 | 1/2 | 35 | 0.12 |
| SSU20 | 3/4 | 40 | 0.19 |
| SSU25 | 1 | 45 | 0.27 |
| SSU32 | 1 1/4 | 51 | 0.44 |
| SSU40 | 1 1/2 | 59 | 0.71 |
| SSU50 | 2 | 65 | 0.88 |
| SSU65 | 2 1/2 | 73 | 1.25 |
| SSU80 | 3 | 76.5 | 1.87 |
| SSU100 | 4 | 113 | 3.27 |



Stainless Steel M/F Unions

| 316 '150lb' Stainless Steel M/F Unions | | | |
|--|---------------|------|--------------|
| AAP CODE | IMPERIAL SIZE | A | APPROX KG/PC |
| SSU08MF | 1/4 | 44 | 0.09 |
| SSU10MF | 3/8 | 47 | 0.13 |
| SSU15MF | 1/2 | 55.3 | 0.17 |
| SSU20MF | 3/4 | 59 | 0.31 |
| SSU25MF | 1 | 64 | 0.39 |
| SSU32MF | 1 1/4 | 69 | 0.59 |
| SSU40MF | 1 1/2 | 79 | 0.64 |
| SSU50MF | 2 | 93 | 1.03 |

